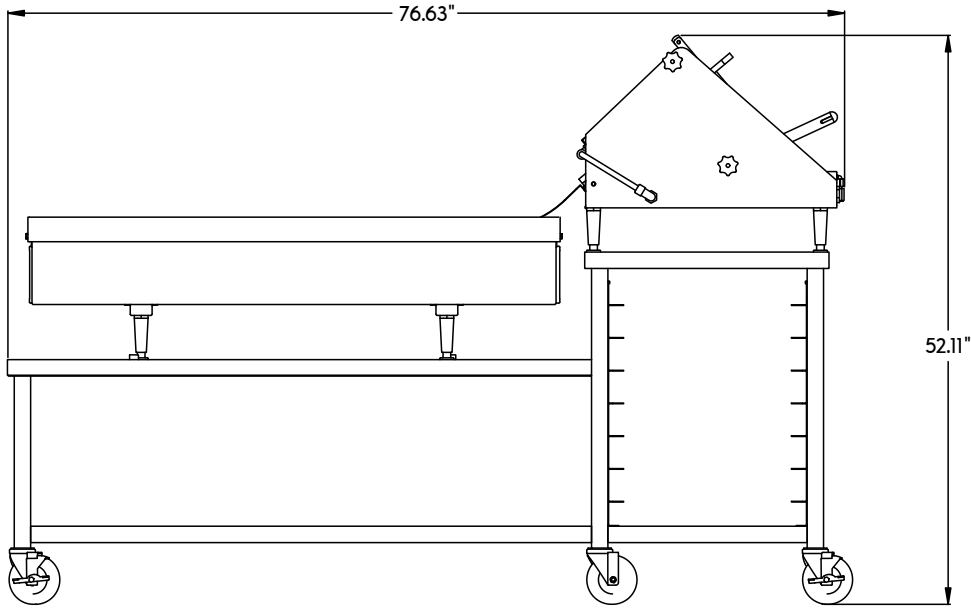


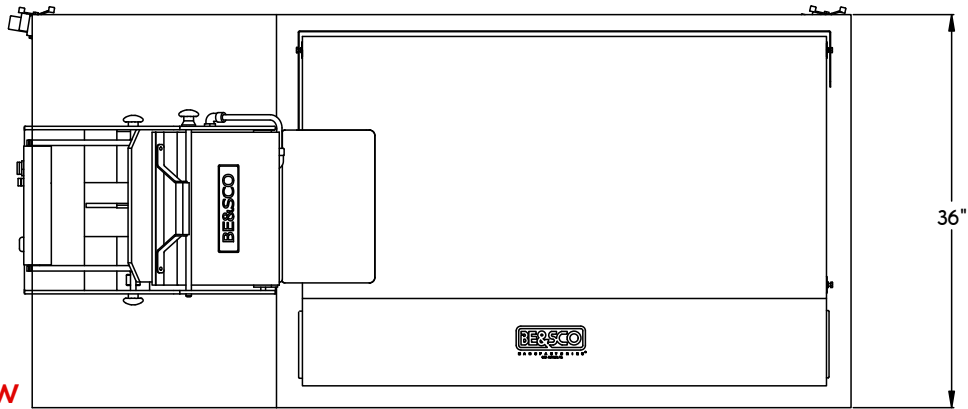
MANUAL WEDGE 2X4 COMBO

MANUAL FLATBREAD PRESS, GRILL & STAND

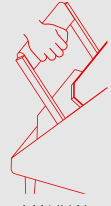
SIDE VIEW



TOP VIEW



SINGLE PERSON OPERATION



MANUAL



DIAMETER FROM 4" TO 12"



AUTO-EJECTED PRODUCT



TEMPERATURE CONTROLLED PLATES

DIMENSIONS W/ GRILL	76.63" L X 36" W X 52.11" H	PRESS ELECTRICAL	PLUG: NEMA 6-20P (250V~)	RECEPTACLE: NEMA 6-20R (250V~)
		GRILL ELECTRICAL	PLUG: NEMA 14-60P (125-250V~)	RECEPTACLE: NEMA 14-60R (125-250V~)



*Certifications Applicable to Press and Grill Only. Certifications Not Applicable to Stands.

**Production may vary due to the operator experience, diameter and thickness of product.

BE&SCO EQUIPMENT IS SOLELY INTENDED FOR USE IN A COMMERCIAL FACILITY.



REVISED: 02/25/2021