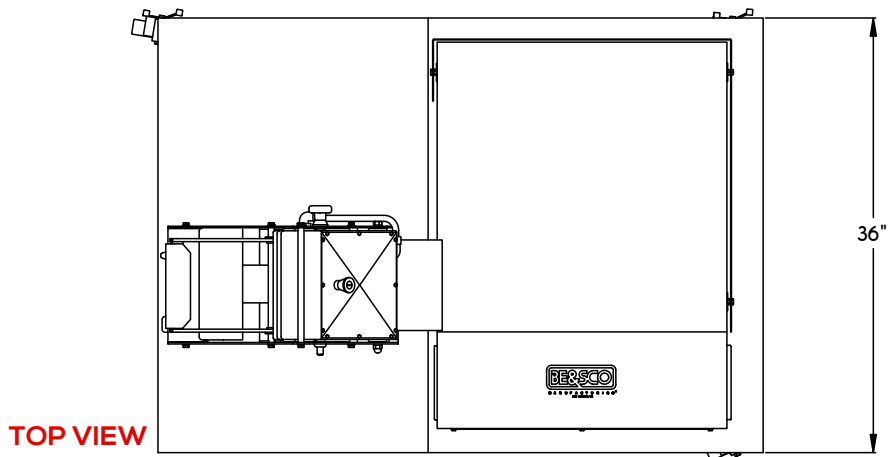
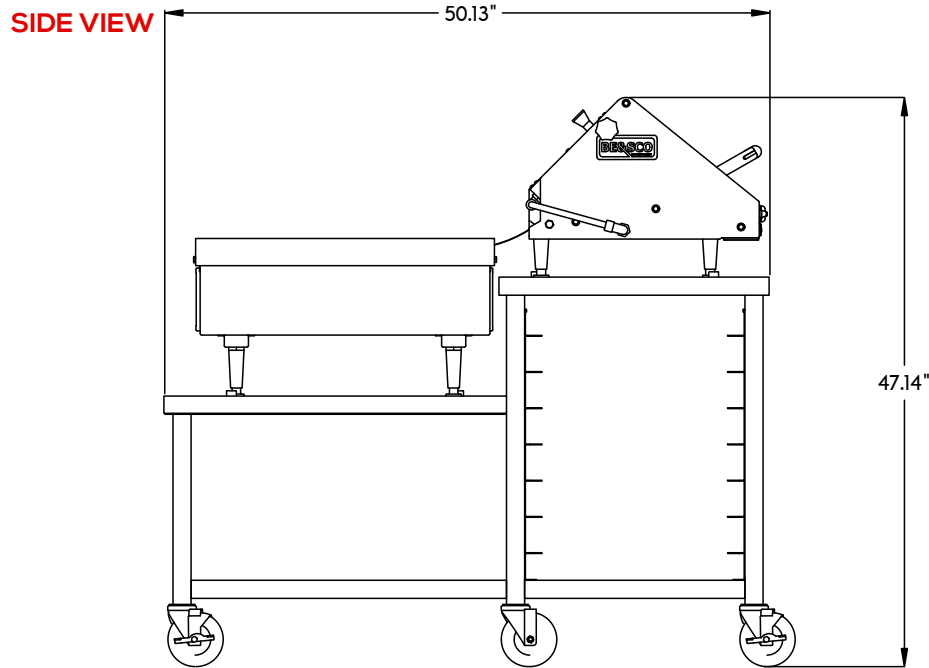






25-12 MINI WEDGE 2X2 COMBO

MANUAL FLATBREAD PRESS, GRILL & STAND



- 
SINGLE PERSON OPERATION
- 
MANUAL
- 
DIAMETER FROM 4" TO 7"
- 
AUTO-EJECTED PRODUCT
- 
TEMPERATURE CONTROLLED PLATES

DIMENSIONS W/ GRILL	50.13" L X 36" W X 47.14" H	PRESS ELECTRICAL	 PLUG: NEMA 6-20P (250V~)	 RECEPTACLE: NEMA 6-20R (250V~)
		GRILL ELECTRICAL	 PLUG: NEMA 10-50P (250V~)	 RECEPTACLE: NEMA 10-50R (250V~)



*Certifications Applicable to Press and Grill Only. Certifications Not Applicable to Stands.
 **Production may vary due to the operator experience, diameter and thickness of product.
 BE&SCO EQUIPMENT IS SOLELY INTENDED FOR USE IN A COMMERCIAL FACILITY.

