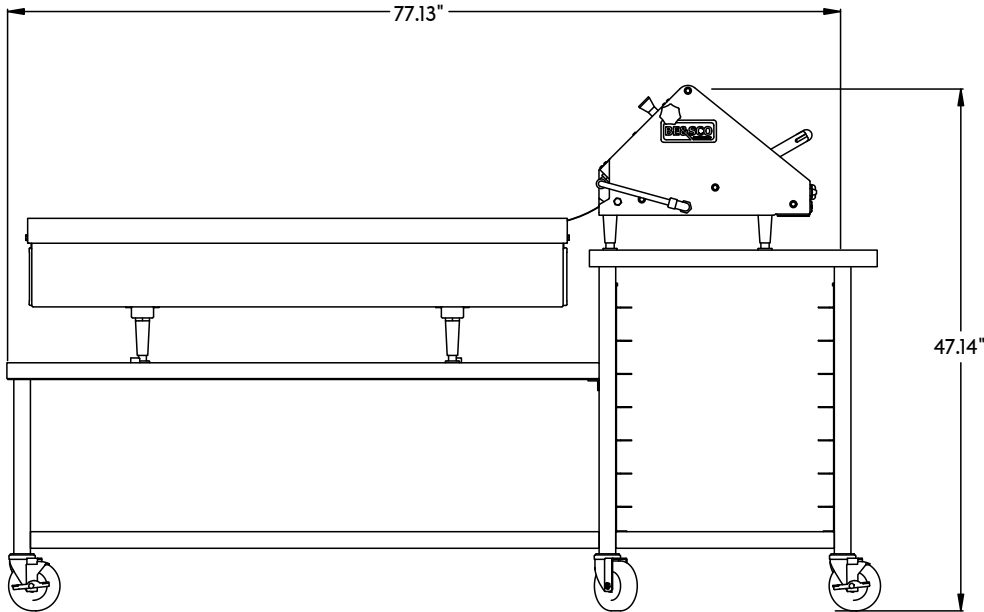


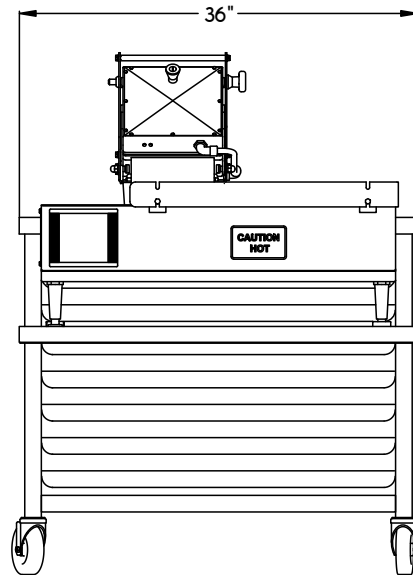
23-12 MINI WEDGE 2X4 COMBO

MANUAL FLATBREAD PRESS, GRILL & STAND

SIDE VIEW



FRONT VIEW



DIMENSIONS W/ GRILL	77.13" L X 36" W X 47.14" H	PRESS ELECTRICAL	PLUG: NEMA 5-20P (125V~)	RECEPTACLE: NEMA 5-20R (125V~)
		GRILL ELECTRICAL	PLUG: NEMA 14-60P (125-250V~)	RECEPTACLE: NEMA 14-60R (125-250V~)



*Certifications Applicable to Press and Grill Only. Certifications Not Applicable to Stands.

**Production may vary due to the operator experience, diameter and thickness of product.

BE&SCO EQUIPMENT IS SOLELY INTENDED FOR USE IN A COMMERCIAL FACILITY.



REVISED: 02/24/2021