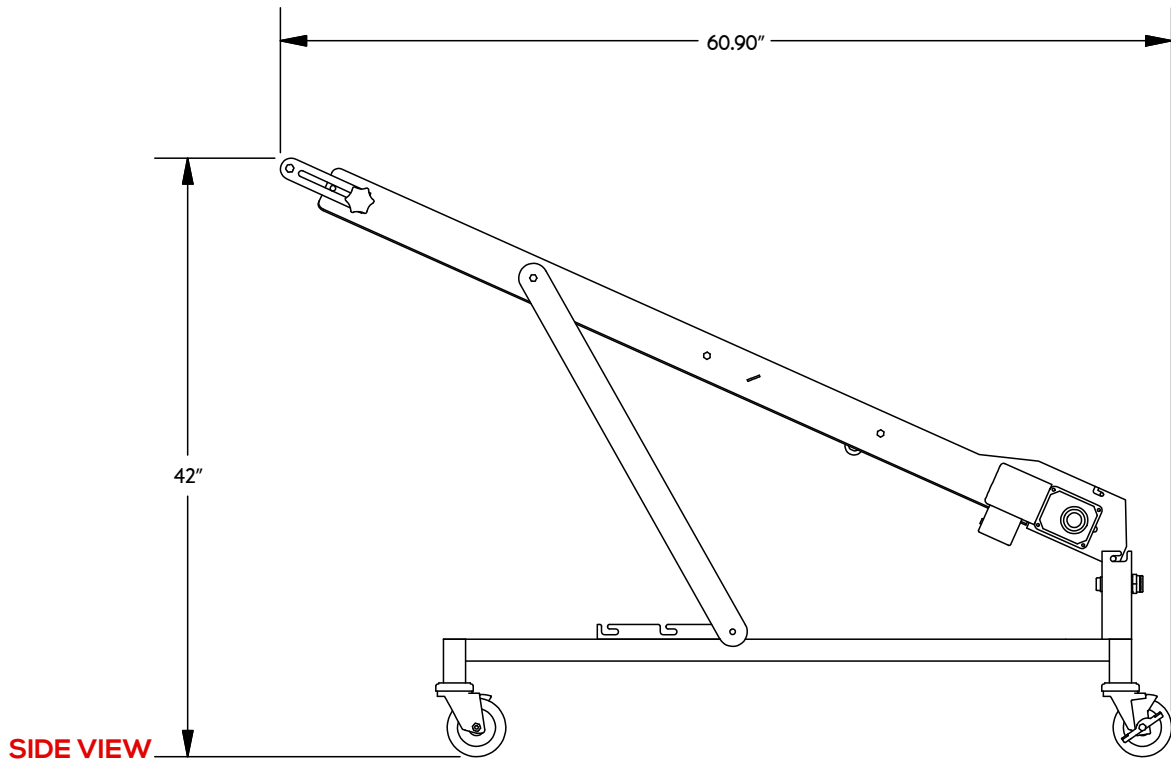
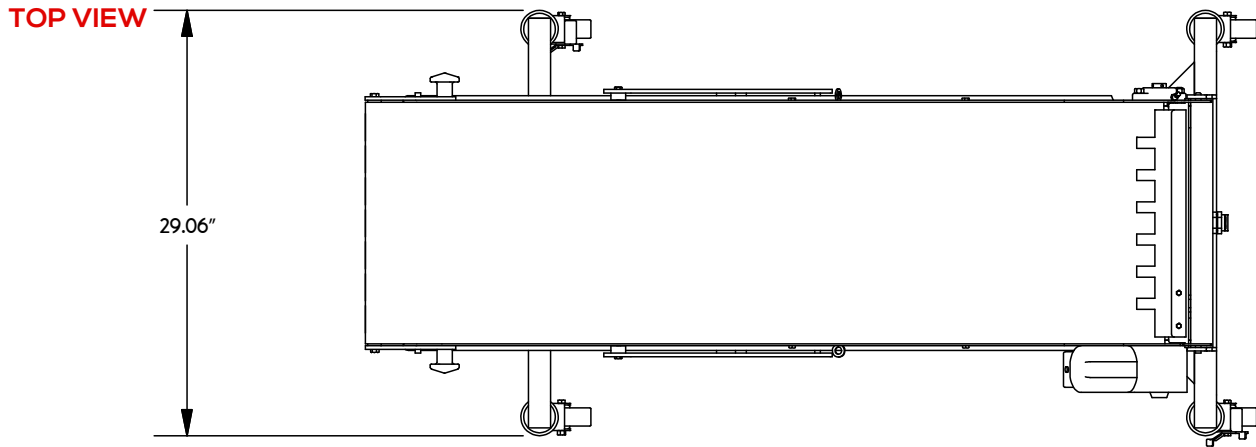


RETURN CONVEYOR



WEIGHT	80LBS.	DIMENSIONS	60.9" L X 29.06" W X 42" H
ADJUSTABLE HEIGHT	42", 46", 48"		

*Return Conveyor cord plugs into base of oven using existing outlet.

BE&SCO EQUIPMENT IS SOLELY INTENDED FOR USE IN A COMMERCIAL FACILITY.



REVISED: 04/23/2021