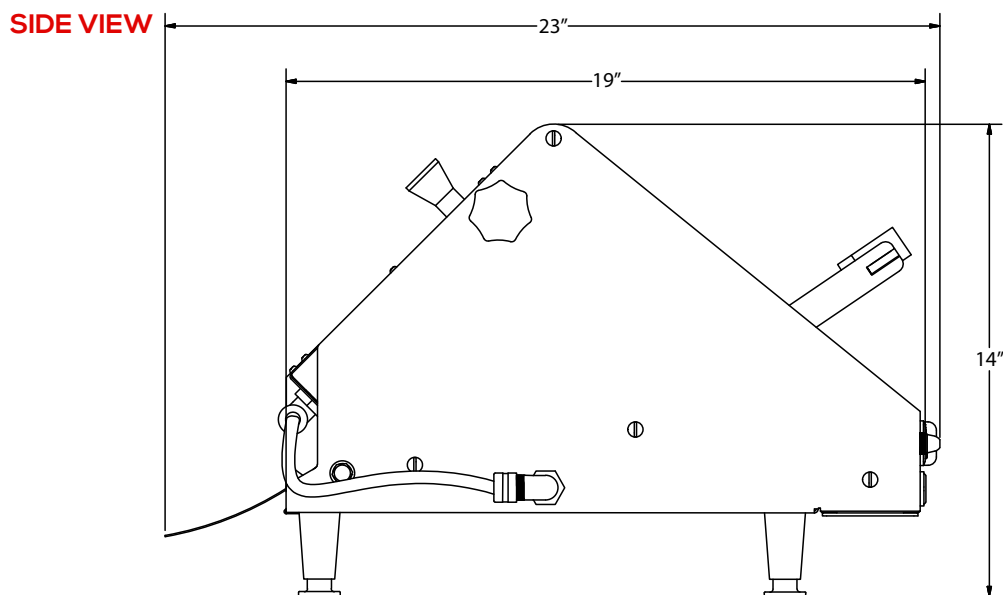
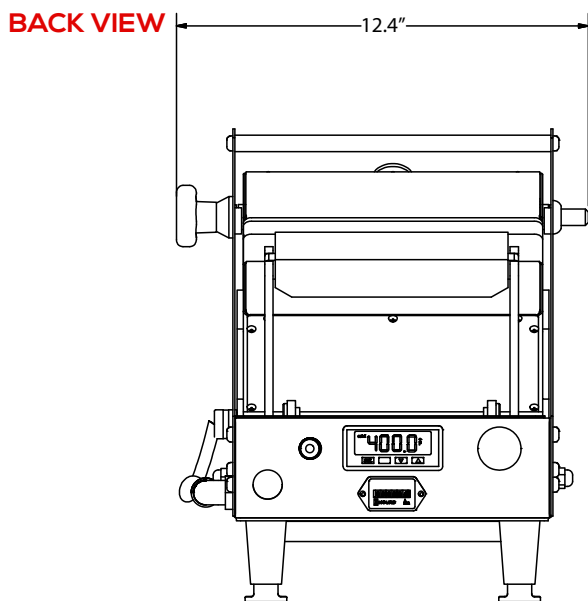


MINI WEDGE PRESS

MANUAL FLATBREAD PRESS



MANUAL

CALIBRATED TO YOUR RECIPE

12.4"
23"
COMPACT AND EASY TO USE

DIAMETER FROM 4" TO 7"

SINGLE PERSON OPERATION

VOLTS	240V	WEIGHT	50LBS.
AMPS	13	DIMENSIONS	23" L X 12.4" W X 14" H
CYCLES	60HZ	ELECTRICAL	PLUG: NEMA 6-20P (250V~) RECEPTACLE: NEMA 6-20R (250V~)
PHASE	SINGLE	POWER	3000 WATTS



*Production may vary due to the operator experience, diameter and thickness of product.
 BE&SCO EQUIPMENT IS SOLELY INTENDED FOR USE IN A COMMERCIAL FACILITY.



REVISED: 01/20/2021