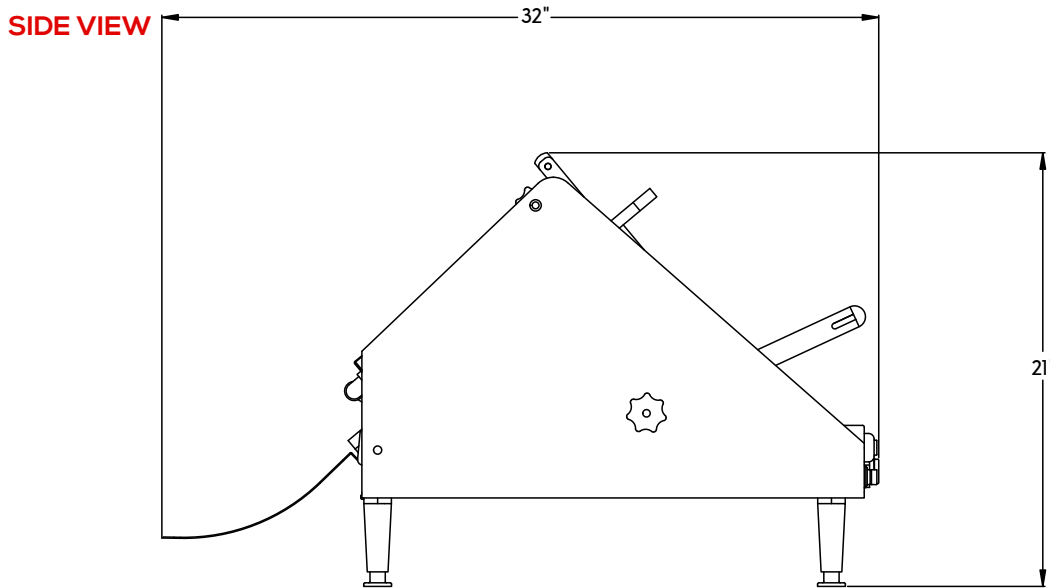
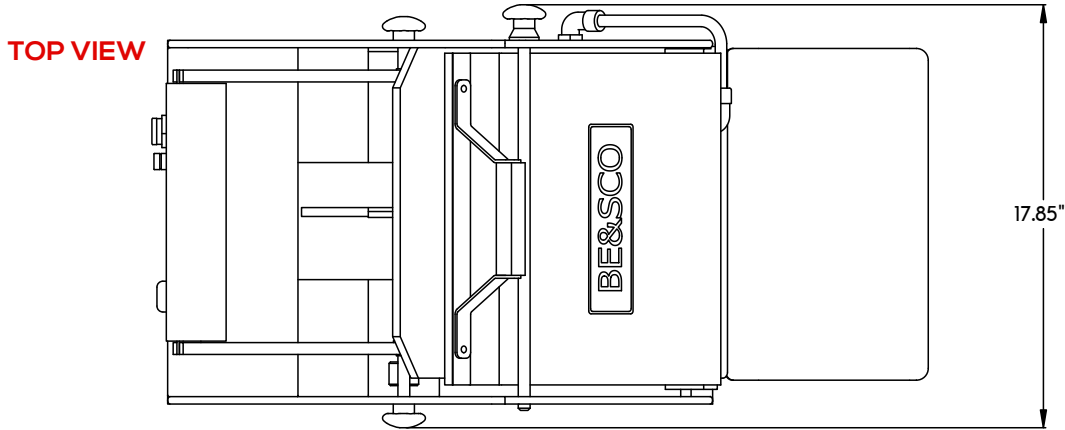




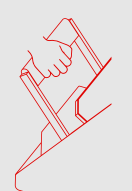
MANUAL WEDGE PRESS


MANUAL FLATBREAD PRESS




- 



NON-STICK
- 

DIAMETER FROM
4" TO 12"
- 

MANUAL
- 

NO MOLDS
REQUIRED
- 

0:03
PRESSED IN
SECONDS

VOLTS	240V	WEIGHT	80LBS.
AMPS	14.6	DIMENSIONS	32" L X 17.85" W X 21" H
CYCLES	60HZ	ELECTRICAL	 PLUG: NEMA 6-20P (250V~)  RECEPTACLE: NEMA 6-20R (250V~)
PHASE	SINGLE	POWER	3500 WATTS



***Production may vary due to the operator experience, diameter and thickness of product.**
BE&SCO EQUIPMENT IS SOLELY INTENDED FOR USE IN A COMMERCIAL FACILITY.



REVISED: 01/21/2021