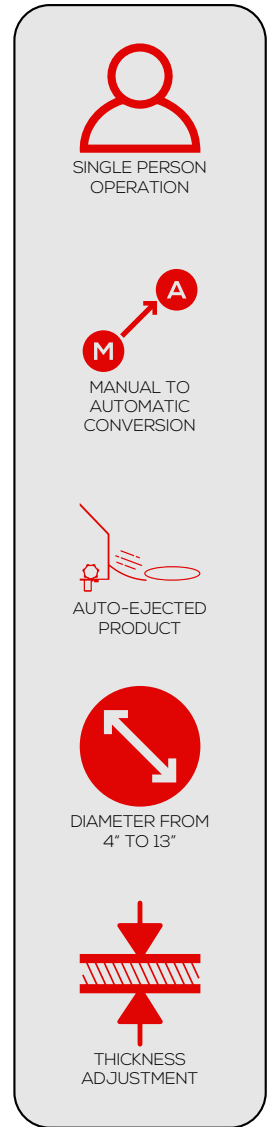
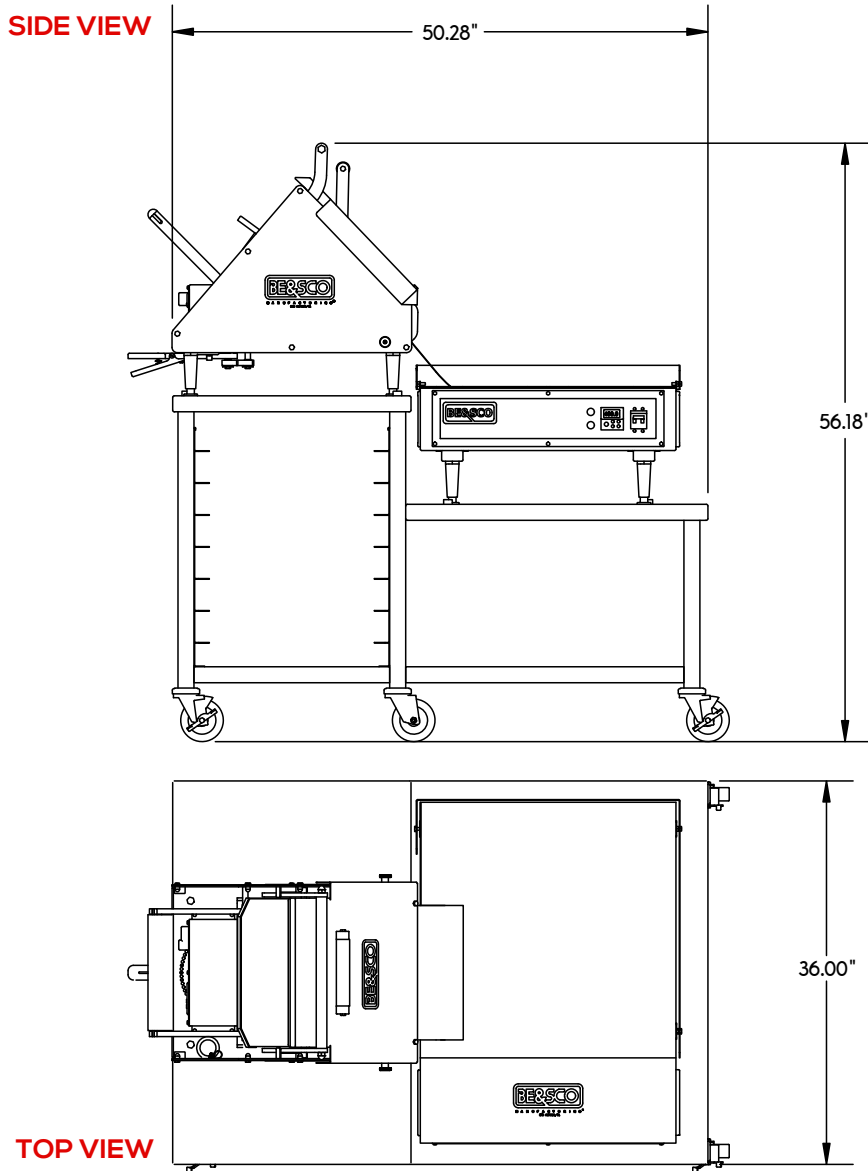






12M-18 WEDGE PRESS 2X2 COMBO

MANUAL FLATBREAD PRESS, GRILL & STAND



DIMENSIONS W/ GRILL	50.28" L X 36" W X 56.18" H	PRESS ELECTRICAL	 PLUG: NEMA 10-50P (250V~)  RECEPTACLE: NEMA 10-50R (250V~)
		GRILL ELECTRICAL	 PLUG: NEMA 10-50P (250V~)  RECEPTACLE: NEMA 10-50R (250V~)



*Certifications Applicable to Press and Grill Only. Certifications Not Applicable to Stands.
 **Production may vary due to the operator experience, diameter and thickness of product.
 BE&SCO EQUIPMENT IS SOLELY INTENDED FOR USE IN A COMMERCIAL FACILITY.



REVISED: 01/20/2021