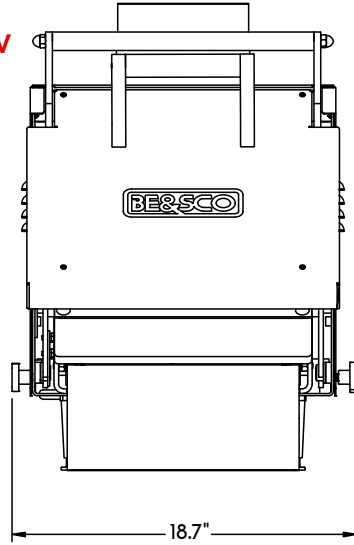


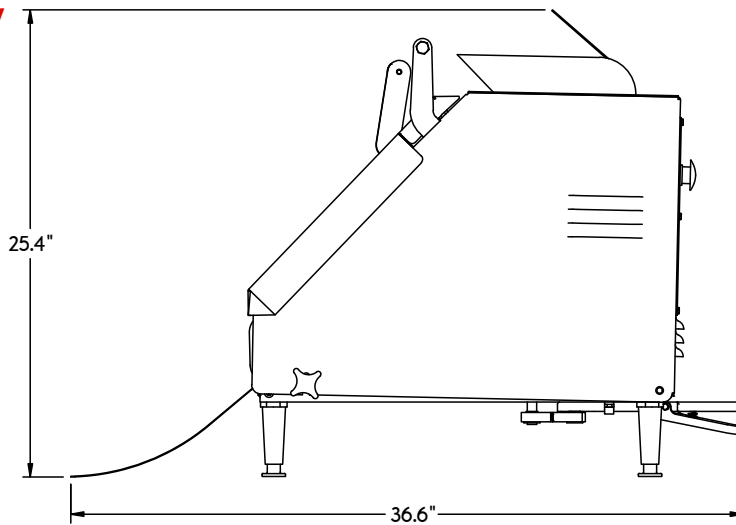
12-18 WEDGE PRESS

AUTOMATIC FLATBREAD PRESS

FRONT VIEW



SIDE VIEW



AUTOMATIC



AUTO-EJECTED
PRODUCT





DIAMETER FROM
4" TO 13"



NON-STICK



THICKNESS
ADJUSTMENT

VOLTS	220V/240V	WEIGHT	200LBS.
AMPS	23.4	DIMENSIONS	36.6" L X 18.7" W X 25.4" H
CYCLES	60HZ	ELECTRICAL	 PLUG: NEMA 10-50P (250V~)  RECEPTACLE: NEMA 10-50R (250V~)
PHASE	SINGLE	POWER	5600 WATTS



*Production may vary due to the operator experience, diameter and thickness of product.

BE&SCO EQUIPMENT IS SOLELY INTENDED FOR USE IN A COMMERCIAL FACILITY.



REVISED: 01/21/2021