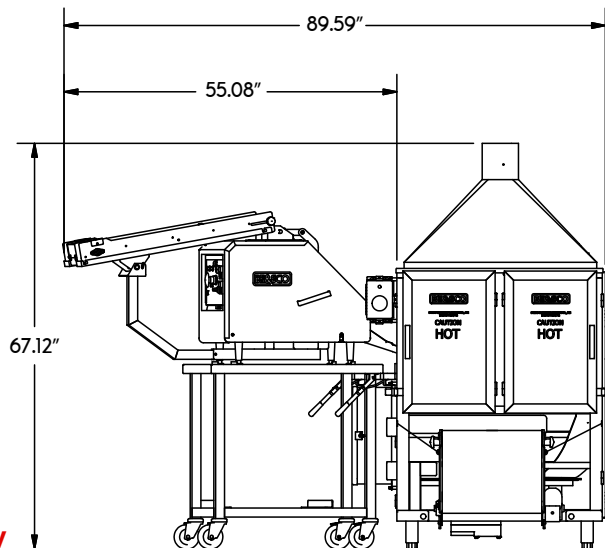
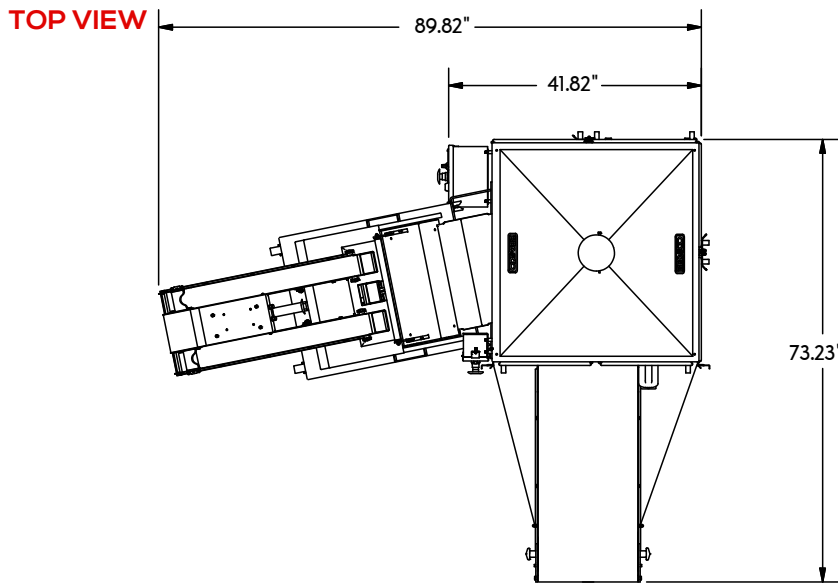


LOW PROFILE GRANDEMAX - RIGHT EXIT - 42" AUTOMATIC FLATBREAD PRESS, STAND, OVEN & DUAL DTL



AUTOMATIC

x2
DOUBLE DROP
FEATURE









HIGH
PRODUCTION



CALIBRATED TO
YOUR RECIPE



DIAMETER FROM
4" TO 10"

PRESS VOLTS	220V/240V	OVEN VOLTS	120V/240V
PRESS AMPS	37.5	OVEN AMPS	3
PRESS CYCLES	60HZ	OVEN POWER (GAS)	100000 BTU/HR
PRESS POWER	9000 WATTS	OVEN ELECTRICAL (120V)	 PLUG: NEMA 5-20P (125V~)  RECEPTACLE: NEMA 5-20R (125V~)
PRESS ELECTRICAL	 PLUG: NEMA 10-50P (250V~)  RECEPTACLE: NEMA 10-50R (250V~)	OVEN ELECTRICAL (240V)	 PLUG: NEMA 6-20P (250V~)  RECEPTACLE: NEMA 6-20R (250V~)
COMBO DIMENSIONS	89.82" L X 73.23" W X 67.1" H	COMBO WEIGHT	1045LBS.



*Certifications Applicable to Press and Oven Only. Certifications Not Applicable to Stands.

**Production may vary due to the operator experience, diameter and thickness of product.

BE&SCO EQUIPMENT IS SOLELY INTENDED FOR USE IN A COMMERCIAL FACILITY.



REVISED: 03/30/2021