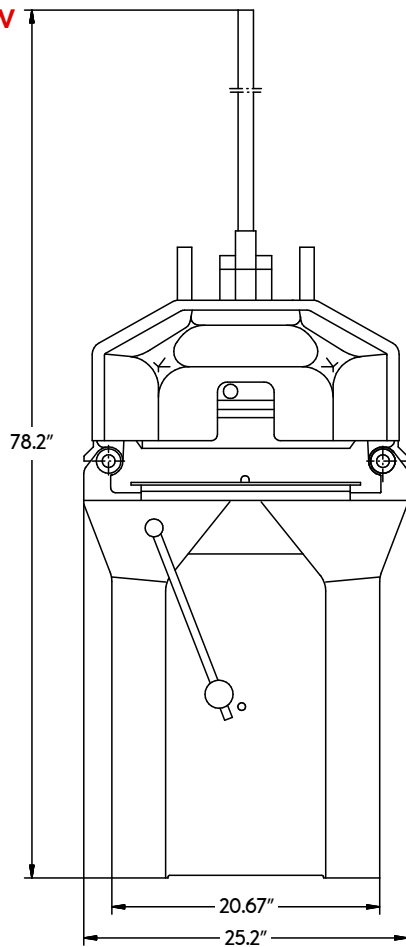


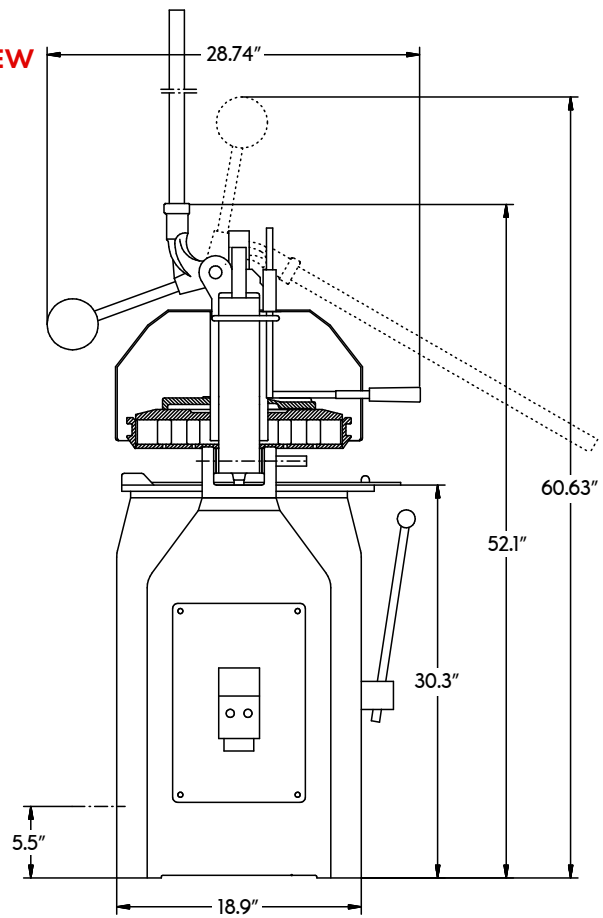
# SEMI-AUTOMATIC DOUGH DIVIDER ROUNDER

## MODEL 65 - 36 CUTS (1OZ TO 4OZ)

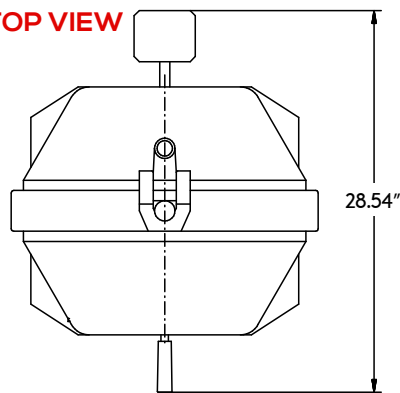
FRONT VIEW



SIDE VIEW



TOP VIEW



VOLTS	220V	PHASE	THREE
AMPS	3	WEIGHT	880LBS.
CYCLES	60HZ	DIMENSIONS	28.74" L X 28.54" W X 78.2" H



\*ETL Listed to meet UL, NSF, and CSA Standards.

\*\*BISSC (Bakery Industry Sanitation Standard Committee) Approved.

BE&SCO EQUIPMENT IS SOLELY INTENDED FOR USE IN A COMMERCIAL FACILITY.



REVISED: 05/25/2021