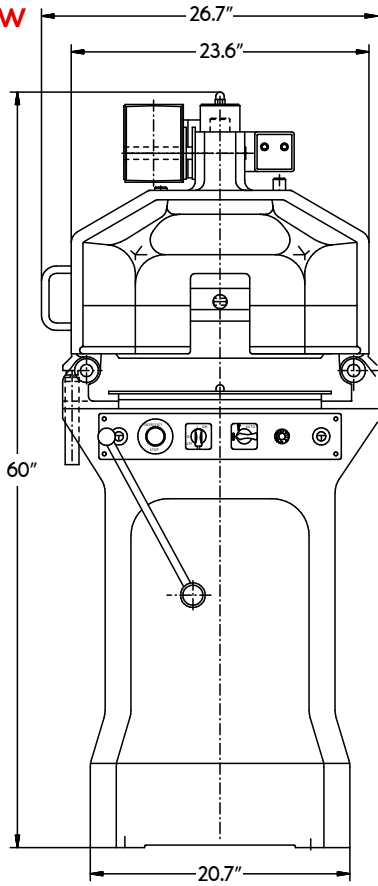


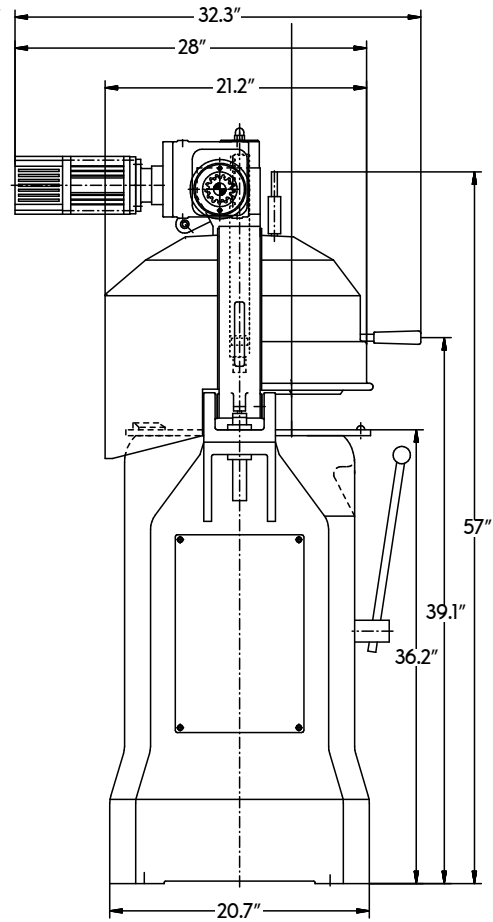
EASY DOUGH DIVIDER ROUNDER

MODEL 65A - 36 CUTS (10Z TO 4OZ)

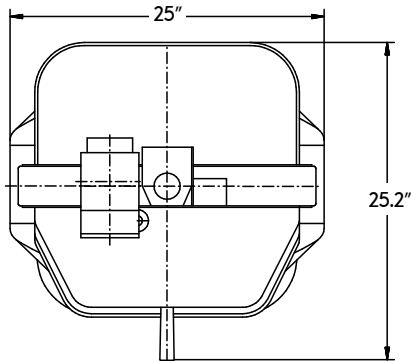
FRONT VIEW



SIDE VIEW



TOP VIEW



VOLTS	220V	PHASE	THREE
AMPS	5	WEIGHT	946LBS.
CYCLES	60HZ	DIMENSIONS	32.3" L X 26.7" W X 60" H



*ETL Listed to meet UL, NSF, and CSA Standards.

**BISSC (Bakery Industry Sanitation Standard Committee) Approved.

BE&SCO EQUIPMENT IS SOLELY INTENDED FOR USE IN A COMMERCIAL FACILITY.



REVISED: 06/16/2021