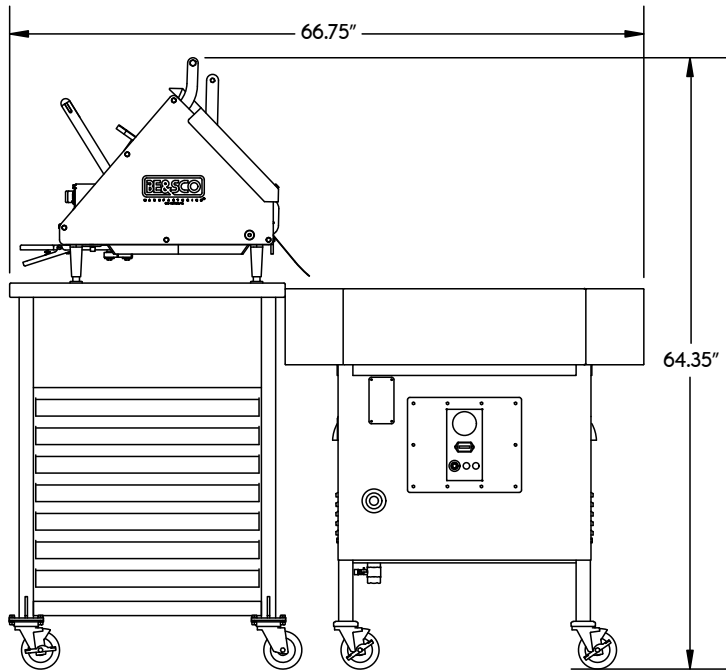


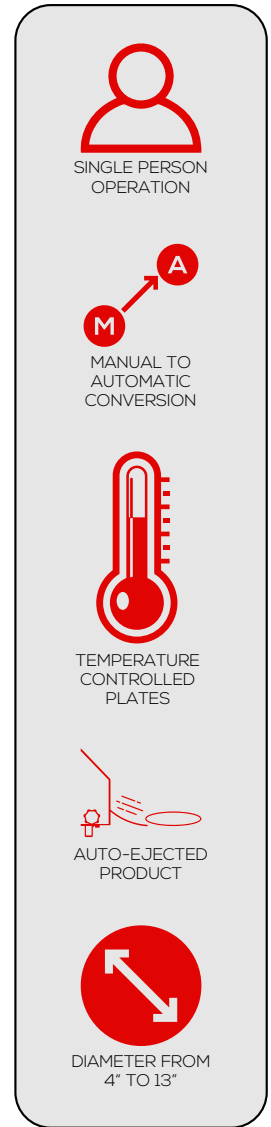
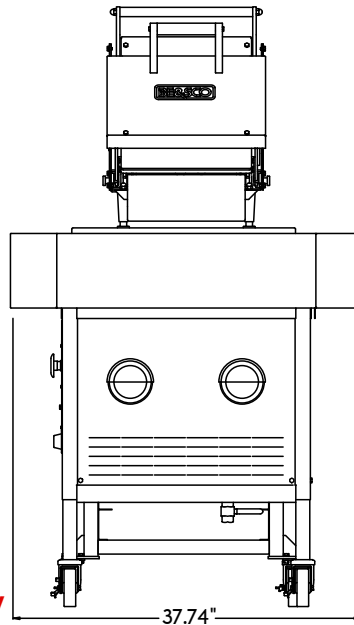
12M-18 WEDGE PRESS ROTOMAL COMBO





MANUAL FLATBREAD PRESS, GRILL & STAND

SIDE VIEW



FRONT VIEW



DIMENSIONS W/ GRILL	66.75" L X 37.74" W X 64.35" H	PRESS ELECTRICAL	 PLUG: NEMA 10-50P (250V~)  RECEPTACLE: NEMA 10-50R (250V~)
		GRILL ELECTRICAL	 PLUG: NEMA 6-20P (250V~)  RECEPTACLE: NEMA 6-20R (250V~)



*CE Certification Applicable to Press Only. ETL and NSF Certifications Applicable to Press and Grill Only. Certifications Not Applicable to Stand.

**Production may vary due to the operator experience, diameter and thickness of product.

BE&SCO EQUIPMENT IS SOLELY INTENDED FOR USE IN A COMMERCIAL FACILITY.



REVISED: 02/04/2022