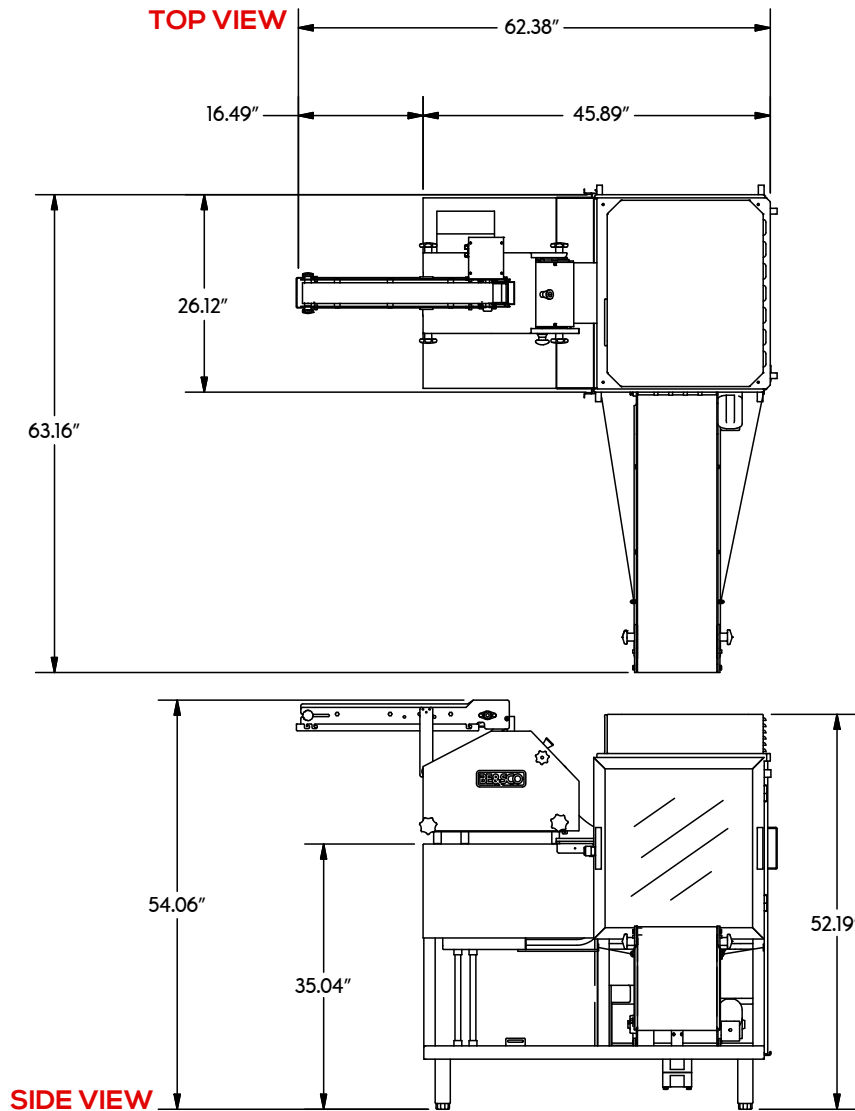


BETA 900 ELECTRIC - RIGHT EXIT - 42" AUTOMATIC FLATBREAD PRESS, OVEN & DTL



- 
 CALIBRATED TO YOUR RECIPE
- 
 900/HR.
 HIGH PRODUCTION
- 
 AUTOMATIC
- 
 DIAMETER FROM 4" TO 7"
- 
 SINGLE PERSON OPERATION

VOLTS	220/240V	WEIGHT	800LBS.
AMPS	45	DIMENSIONS	63.16" L X 62.38" W X 54" H
CYCLES	60HZ	ELECTRICAL	4-WIRE SINGLE PHASE (L1-L2-N-G)
PHASE	SINGLE.	POWER	11000 WATTS

***You will need 240V to fully utilize the capabilities of the Beta 900 Electric Combo. Less than 220V requires installation of Buck and Boost.**

****Production may vary due to the operator experience, diameter and thickness of product.**



BE&SCO EQUIPMENT IS SOLELY INTENDED FOR USE IN A COMMERCIAL FACILITY.

REVISED: 08/10/2021