

THE BETA 900 GAS

FLOUR TORTILLA PRESS AND OVEN

- Energy Efficient and Easy to Operate!
- The Ultimate in Display Cooking!
- Optional Dough Trolley Loader!
- A Unique Machine offering Versatility and Consistency!
- Customize it to fit in your facility!

Choosing from a Right, Left, or Straight Exit
with different sized exit conveyors

MODEL 10 OVEN SPEC

240 Volts

17 Amps / 4000 Watts

Cycles/Phase: 60HZ/Single

Natural Gas: 45,000 BTU's

Liquid Propane: Optional (Non ETL)

Dimensions vary with configuration
and conveyor length, see pg. 2-7

Conveyor Lengths: 30", 42", 60"

Conveyor Lengths: 77 cm, 107 cm, 153 cm

Weight: Approx. 700 lbs./318 Kg

Tortilla Production: Up to 900 per hour

Tortilla Diameter: 4"/10cm to 7"/18cm

*Tortilla production may vary due to operator
experience, diameter and thickness of tortillas.



Model 10, 10L, or 10R Oven

Model 9L Press

Optional Model 75 Dough Trolley Loader

*BE&SCO equipment is solely intended for use in a commercial facility.



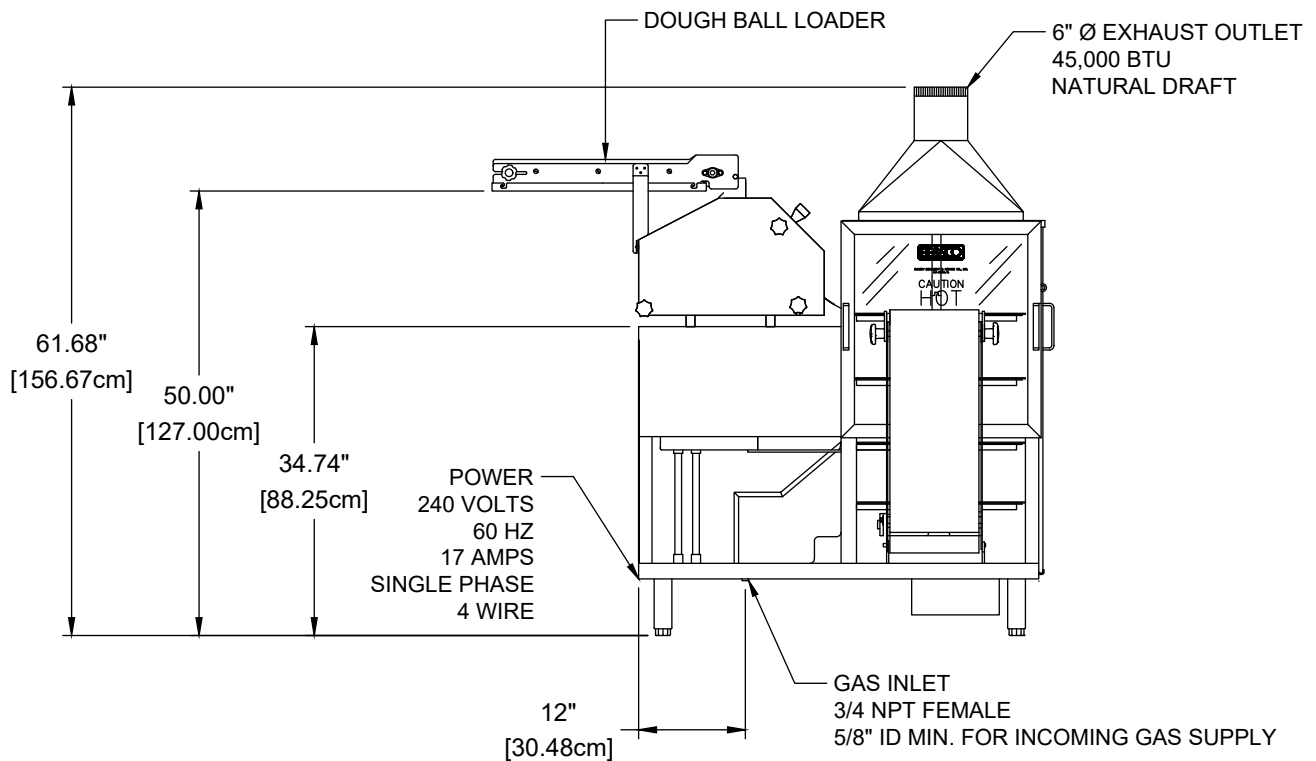
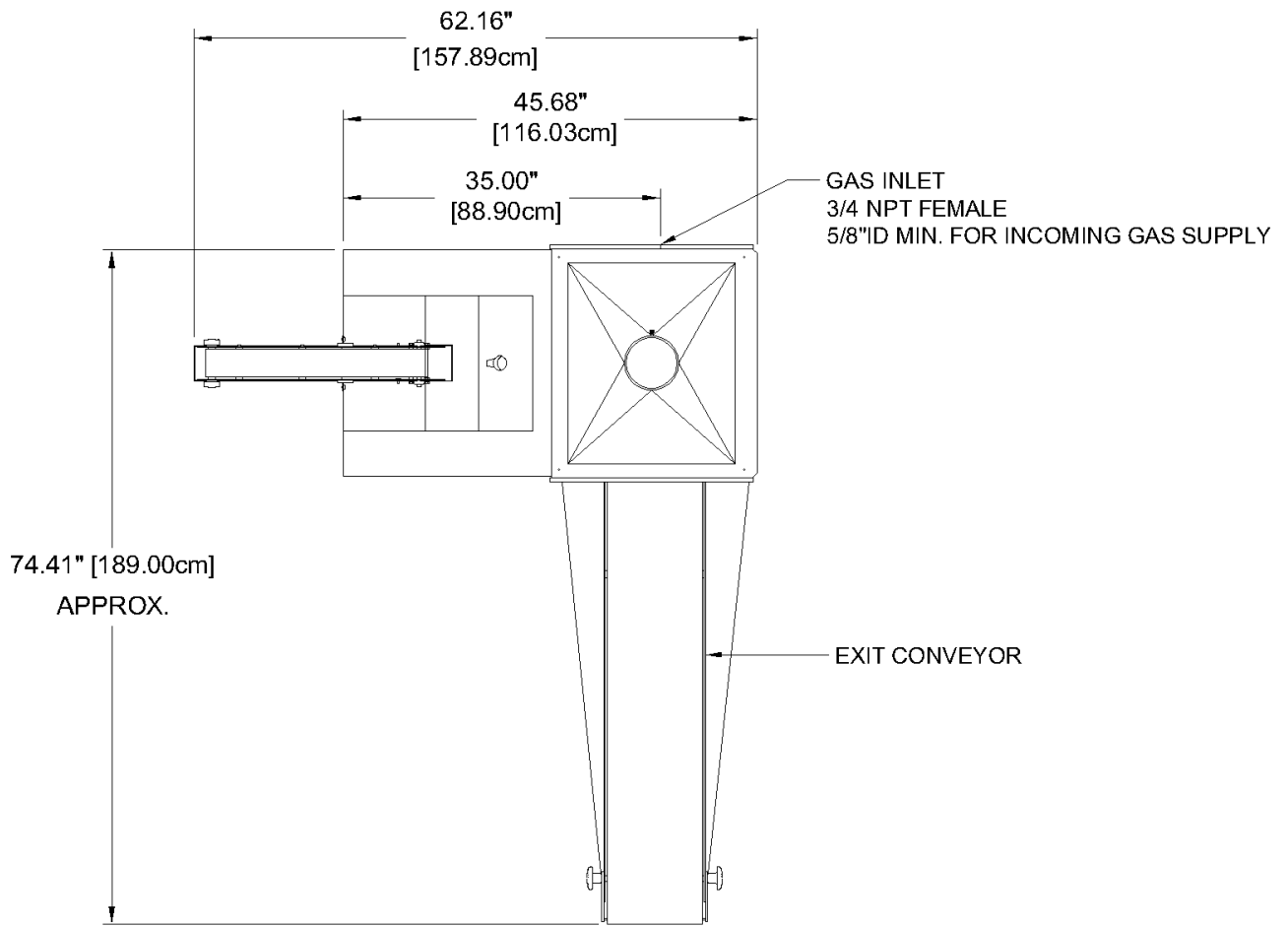
200 Lombrano St · San Antonio, TX 78207 USA
Office: (210) 734-5124 · Fax: (210) 737-3925
Toll Free: 1-800-683-0928
Email: sales@bescomfg.com · Website: www.bescomfg.com
Visit our website to view video www.bescomfg.com



Revised
03/04/20

Beta 900 Gas Right Exit - Model: 10R

Shown with the optional dough trolley loader and 60"/153 cm exit conveyor



200 Lombrano St · San Antonio, TX 78207 USA

Office: (210) 734-5124 · Fax: (210) 737-3925

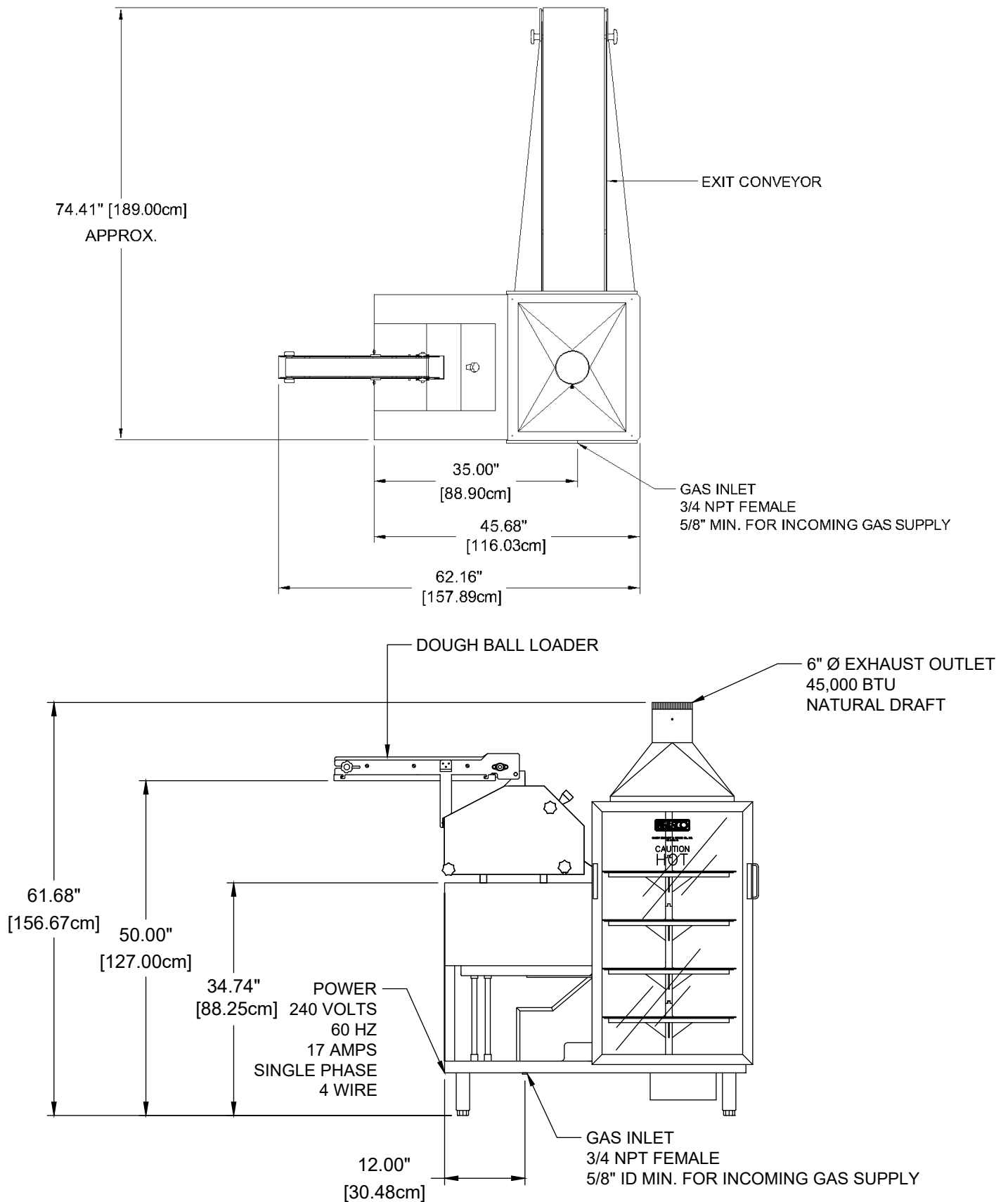
Toll Free: 1-800-683-0928

Email: sales@bescomfg.com · Website: www.bescomfg.com

Visit our website to view video www.bescomfg.com

Beta 900 Gas Left Exit - Model: 10L

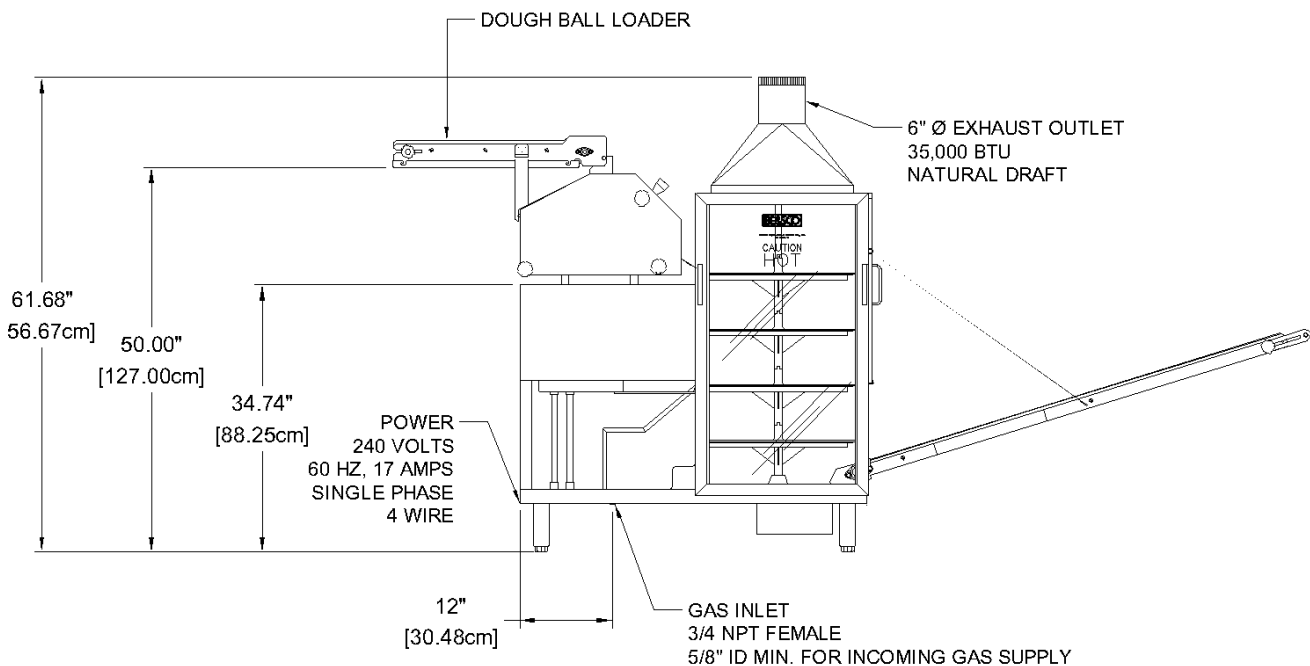
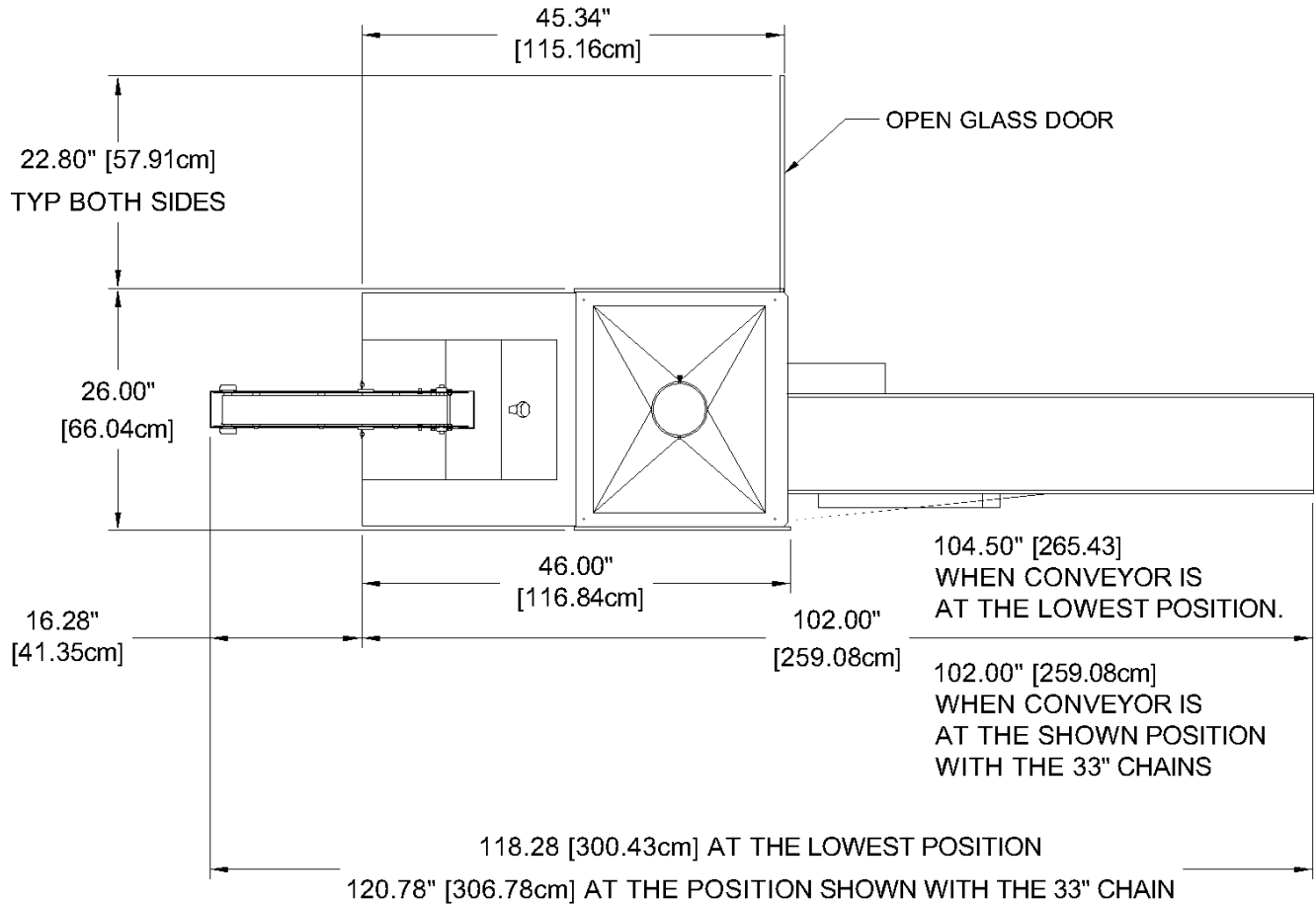
Shown with the optional dough trolley loader and 60"/153 cm exit conveyor



200 Lombrano St · San Antonio, TX 78207 USA
 Office: (210) 734-5124 · Fax: (210) 737-3925
 Toll Free: 1-800-683-0928
 Email: sales@bescomfg.com · Website: www.bescomfg.com
 Visit our website to view video www.bescomfg.com

Beta 900 Gas Straight Exit - Model: 10

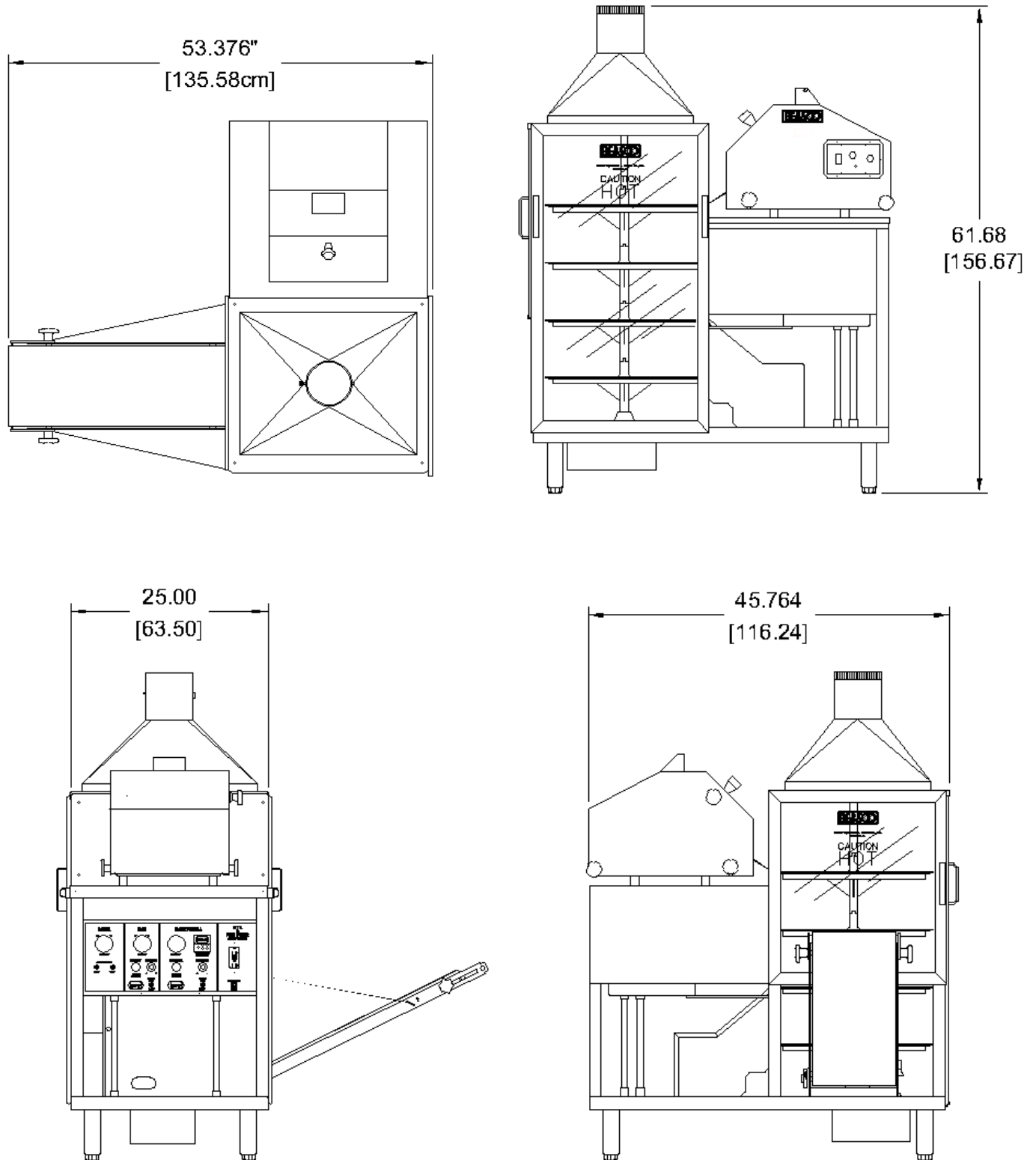
Shown with the optional dough trolley loader and 60"/153 cm exit conveyor



200 Lombrano St · San Antonio, TX 78207 USA
 Office: (210) 734-5124 · Fax: (210) 737-3925
 Toll Free: 1-800-683-0928
 Email: sales@bescomfg.com · Website: www.bescomfg.com
 Visit our website to view video www.bescomfg.com

Beta 900 Gas Right Exit - Model 10R

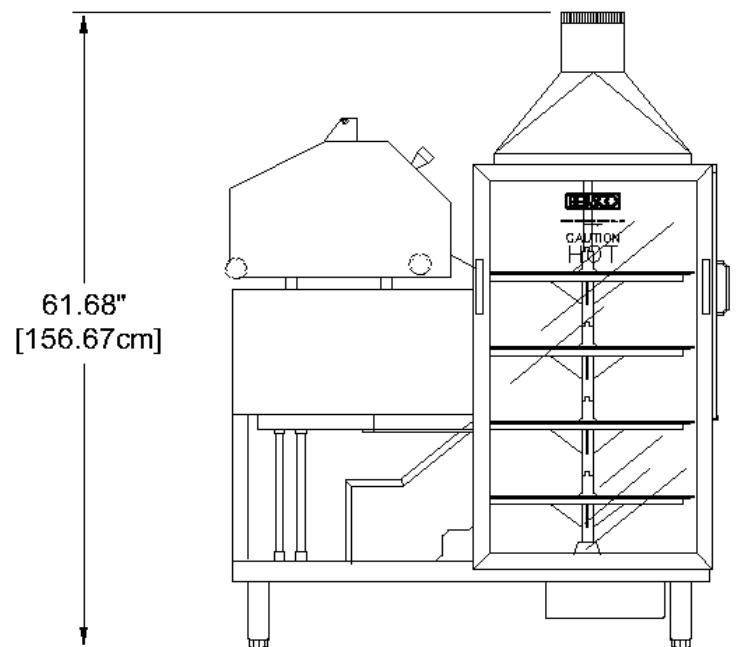
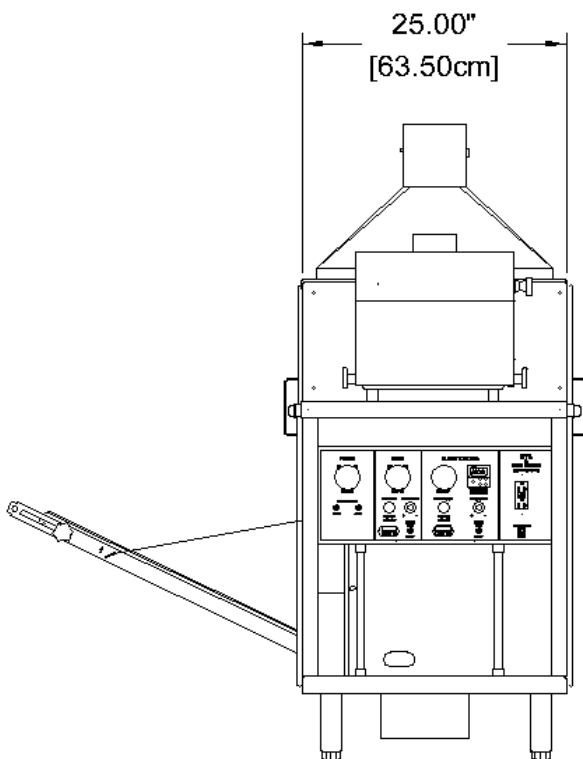
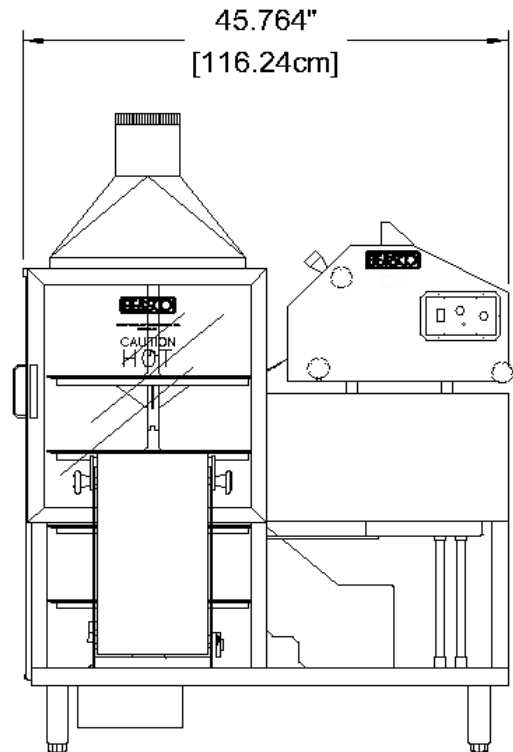
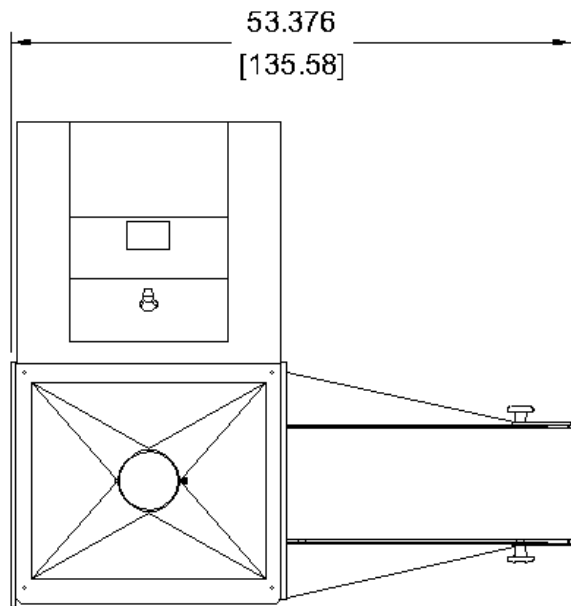
Shown without the optional dough trolley loader and 42"/107 cm exit conveyor



200 Lombrano St · San Antonio, TX 78207 USA
Office: (210) 734-5124 · Fax: (210) 737-3925
Toll Free: 1-800-683-0928
Email: sales@bescomfg.com · Website: www.bescomfg.com
Visit our website to view video www.bescomfg.com

Beta 900 Gas Left Exit - Model 10L

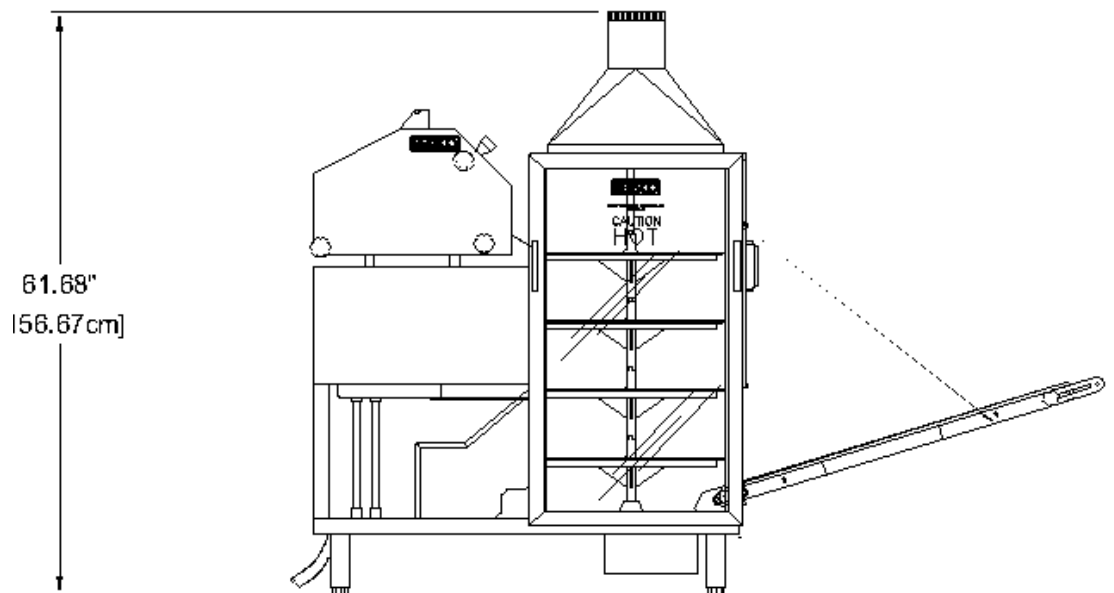
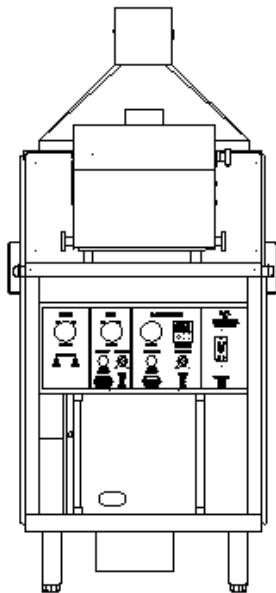
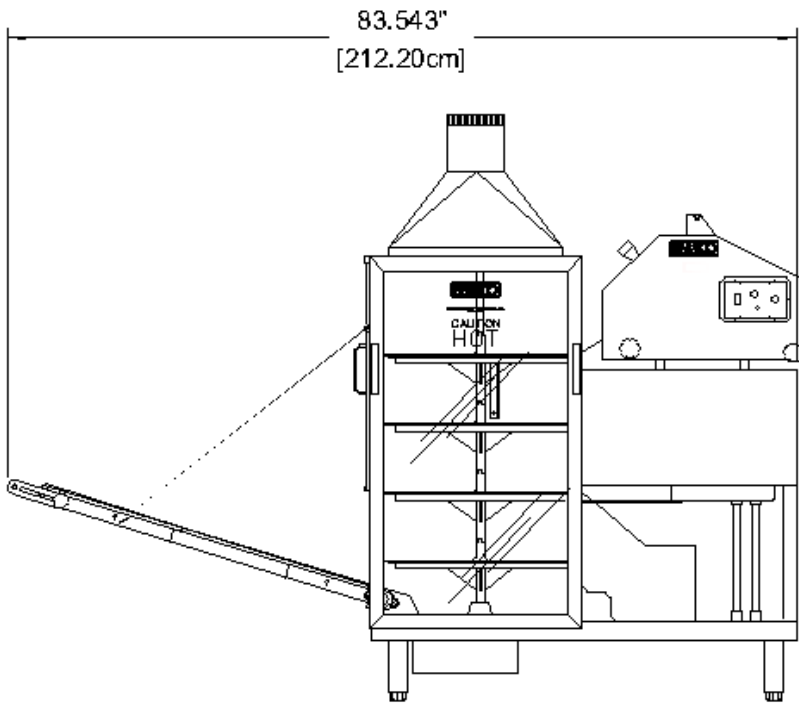
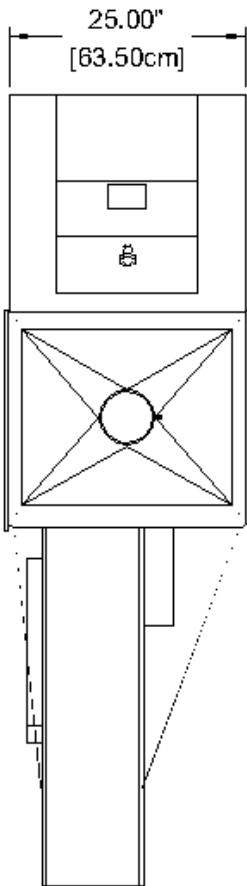
Shown without the optional dough trolley loader and 42"/7 cm exit conveyor



200 Lombrano St · San Antonio, TX 78207 USA
Office: (210) 734-5124 · Fax: (210) 737-3925
Toll Free: 1-800-683-0928
Email: sales@bescomfg.com · Website: www.bescomfg.com
Visit our website to view video www.bescomfg.com

Beta 900 Gas Straight Exit - Model 10

Shown without the optional dough trolley loader and 42"/107 cm exit conveyor



200 Lombardo St · San Antonio, TX 78207 USA
Office: (210) 734-5124 · Fax: (210) 737-3925
Toll Free: 1-800-683-0928
Email: sales@bescomfg.com · Website: www.bescomfg.com
Visit our website to view video www.bescomfg.com