

# THE BETA 450 ELECTRIC

## ELECTRIC FLOUR TORTILLA PRESS AND OVEN

### MODEL 5-12 OVEN SPEC

240 Volts

20 Amps / 4800 Watts

Dimensions: L 26.5" x W 32" x H 37.5"

Dimensions: L 68cm x W 82cm x H 96cm

Patent: 61/398,016 pending

Shipping Weight: Approx. 250lbs. / 114 kg

\*You will need 240V to fully utilize the capabilities of the Beta 450E. Less than 230V requires installation of Buck and Boost



Plug:  
NEMA 10-50P  
(250V ~)



Receptacle:  
NEMA 10-50R  
(250V ~)

### MODEL 9AE-12 PRESS

120V

15Amps

Heating Element: 1800 Watts

Dimensions: L 20.6" x W 13.6" x H 16.9"

Dimensions: L 66cm x W 36cm x H 44cm

Weight: Approx. 70 lbs./32 Kg

Tortilla Production: Up to 450 per hour

Tortilla Diameter: 4"/10cm to 7"/18cm



Plug:  
NEMA 5-20P  
(125V ~)



Receptacle:  
NEMA 5-20R  
(125V ~)

### MODEL 9AEV-12 PRESS

240V

13Amps

Heating Element: 3120 Watts

Dimensions: L 20.6" x W 13.6" x H 16.9"

Dimensions: L 66cm x W 36cm x H 44cm

Weight: Approx. 70 lbs./32 Kg

Tortilla Production: Up to 450 per hour

Tortilla Diameter: 4"/10cm to 7"/18cm



Plug:  
NEMA 6-20P  
(250V-)



Receptacle:  
NEMA 6-20R  
(250V-)



\*Tortilla production may vary due to operator experience, diameter and thickness of tortillas.

BE&SCO equipment is solely intended for use in a commercial facility.

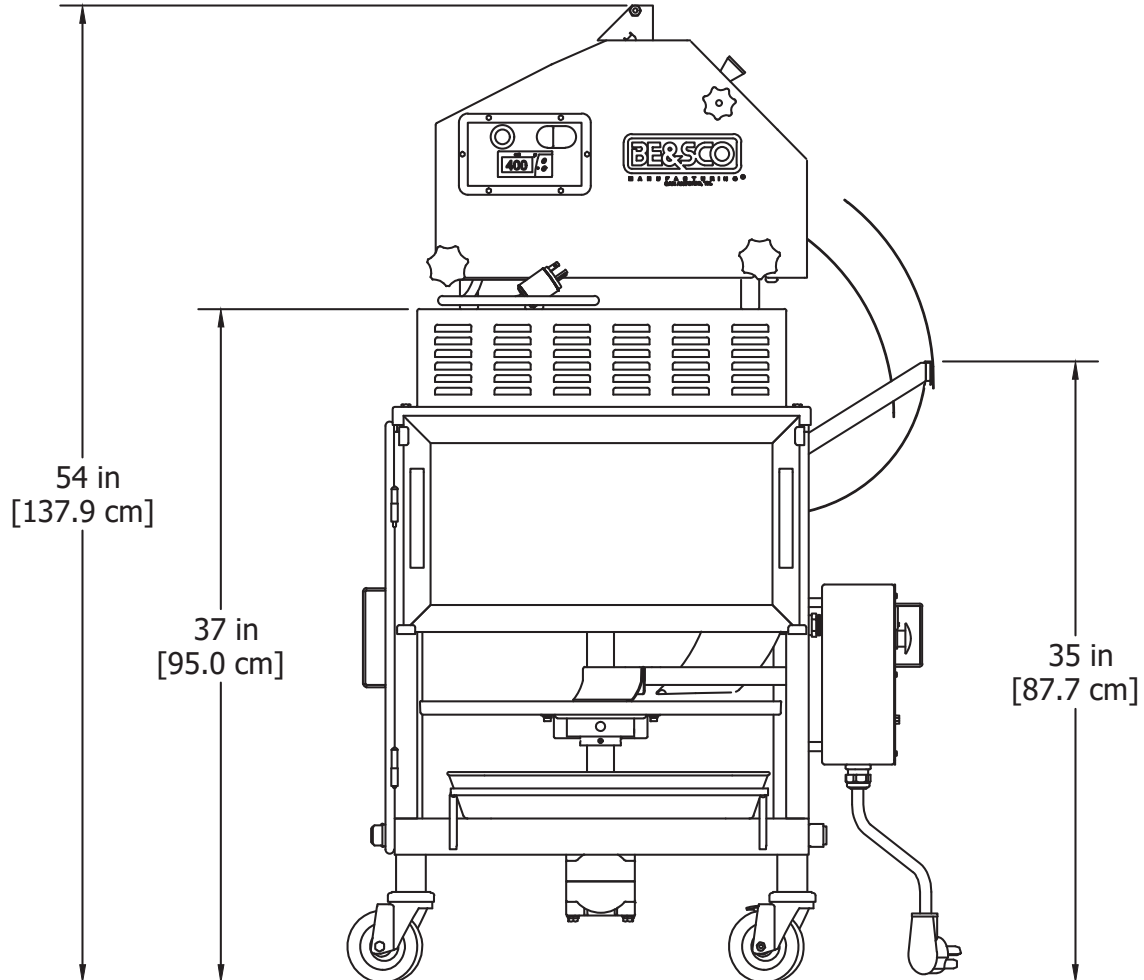
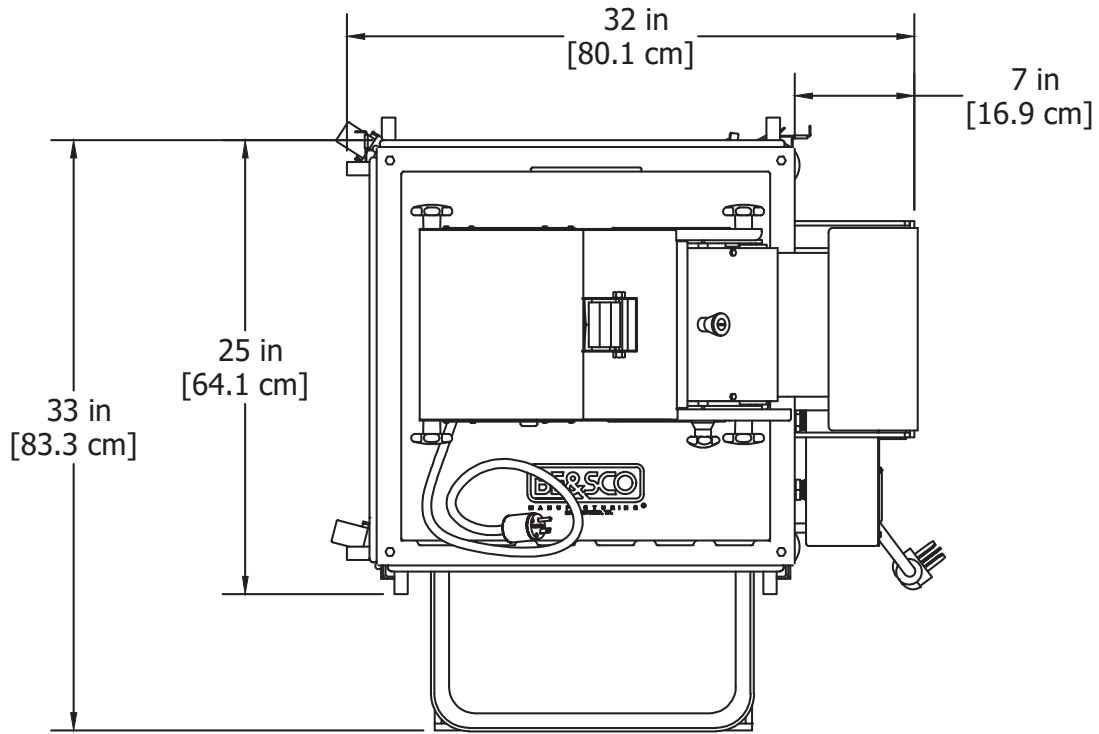


200 Lombrano St · San Antonio, TX 78207 USA  
Office: (210) 734-5124 · Fax: (210) 737-3925  
Toll Free: 1-800-683-0928  
Email: sales@bescomfg.com · Website: www.bescomfg.com  
Visit our website to view video www.bescomfg.com



Revised  
09/28/2020

# Beta 450 Electric Combo - Without DTL



# Beta 450 Electric Combo - With DTL

