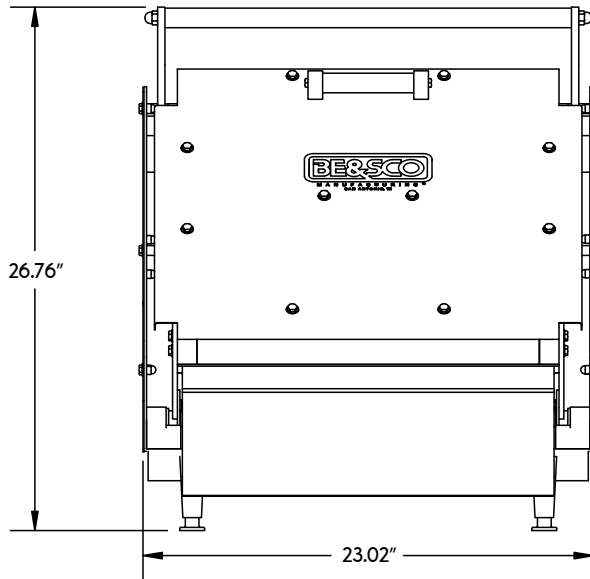


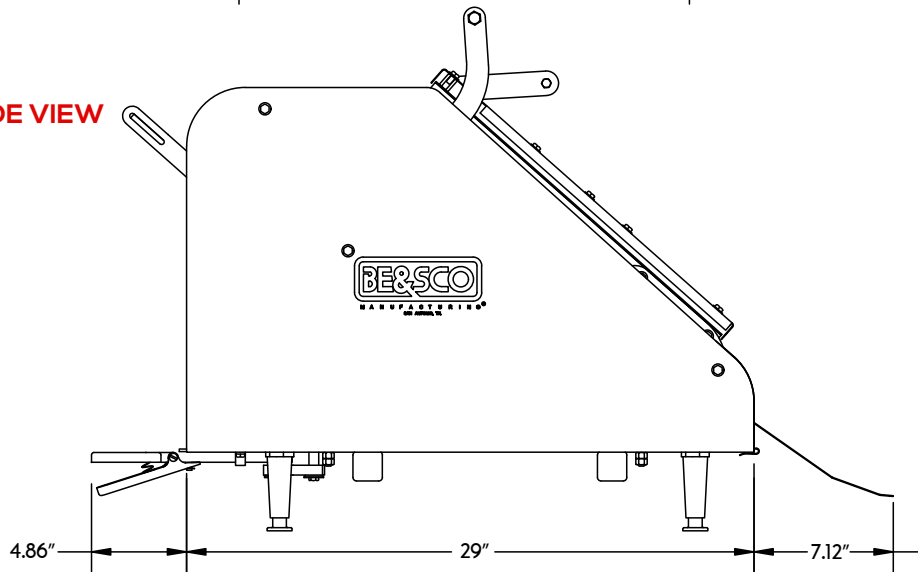
# SEDICI WEDGE PRESS

## MANUAL FLATBREAD PRESS

FRONT VIEW



SIDE VIEW



NO MOLDS  
REQUIRED



DIAMETER FROM  
4" TO 19"





SINGLE PERSON  
OPERATION



AUTO-EJECTED  
PRODUCT



THICKNESS  
ADJUSTMENT

<b>VOLTS</b>	240V	<b>WEIGHT</b>	250LBS.
<b>AMPS</b>	33.3	<b>DIMENSIONS W/ SLIDE</b>	40.98" L X 23.02" W X 26.76" H
<b>CYCLES</b>	60HZ	<b>ELECTRICAL</b>	 <b>PLUG:</b> NEMA 10-50P (250V~)  <b>RECEPTACLE:</b> NEMA 10-50R (250V~)
<b>PHASE</b>	SINGLE	<b>POWER</b>	8000 WATTS



\*Press is shown with standard slide, optional tray attachment available.

\*\*Production may vary due to the operator experience, diameter and thickness of product.

BE&SCO EQUIPMENT IS SOLELY INTENDED FOR USE IN A COMMERCIAL FACILITY.



REVISED: 10/27/2021